

Figure 1

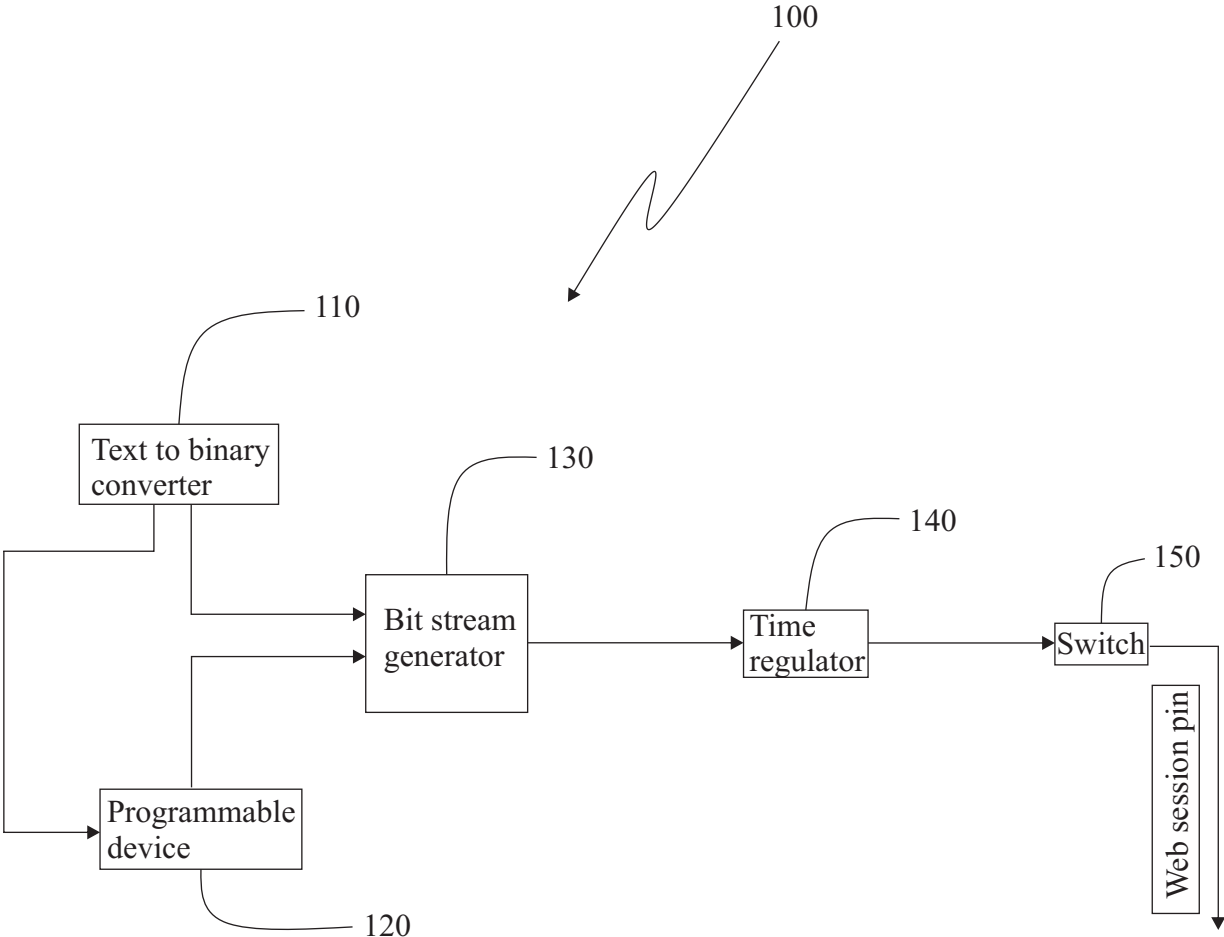


Figure 2

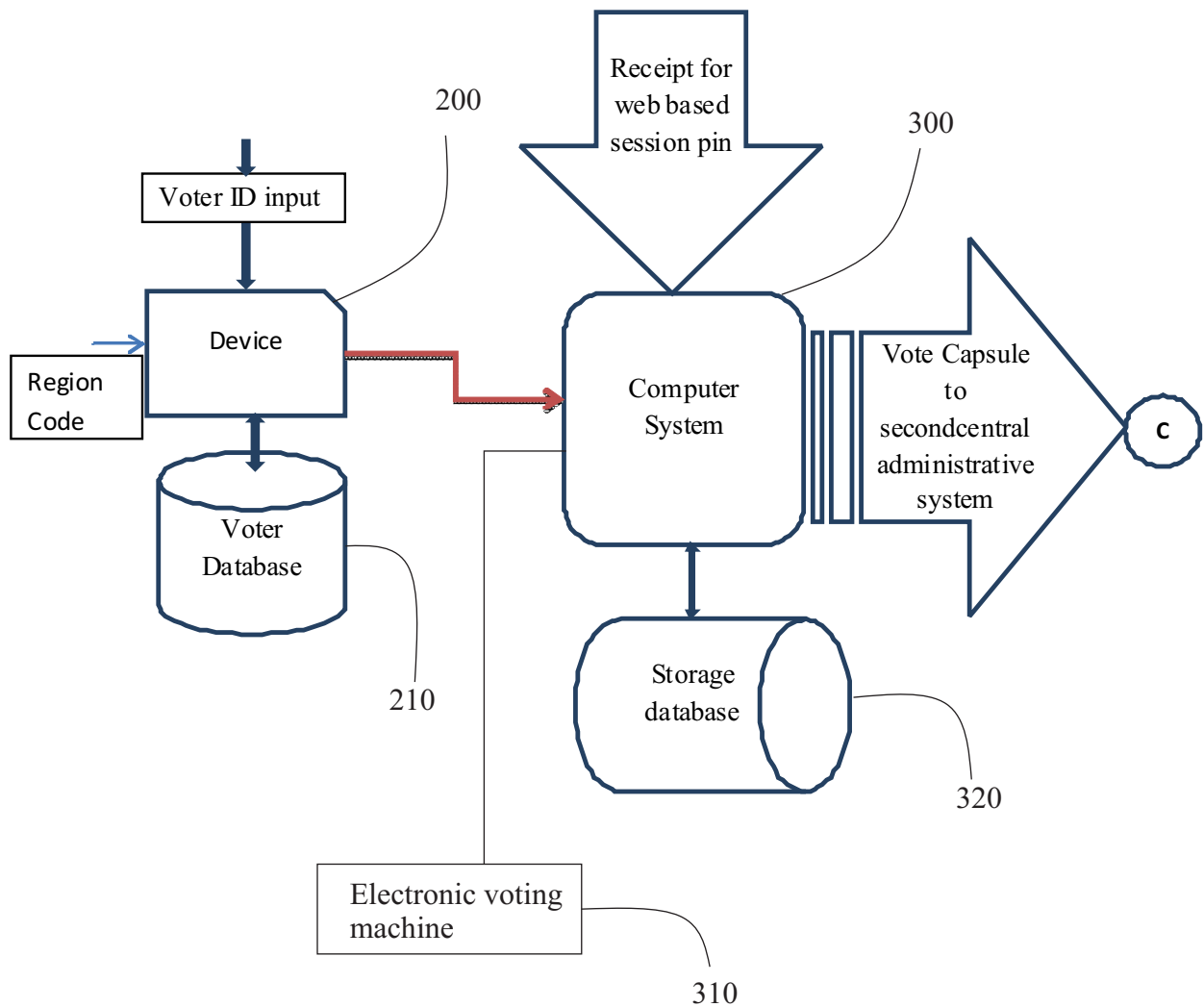


Figure 3

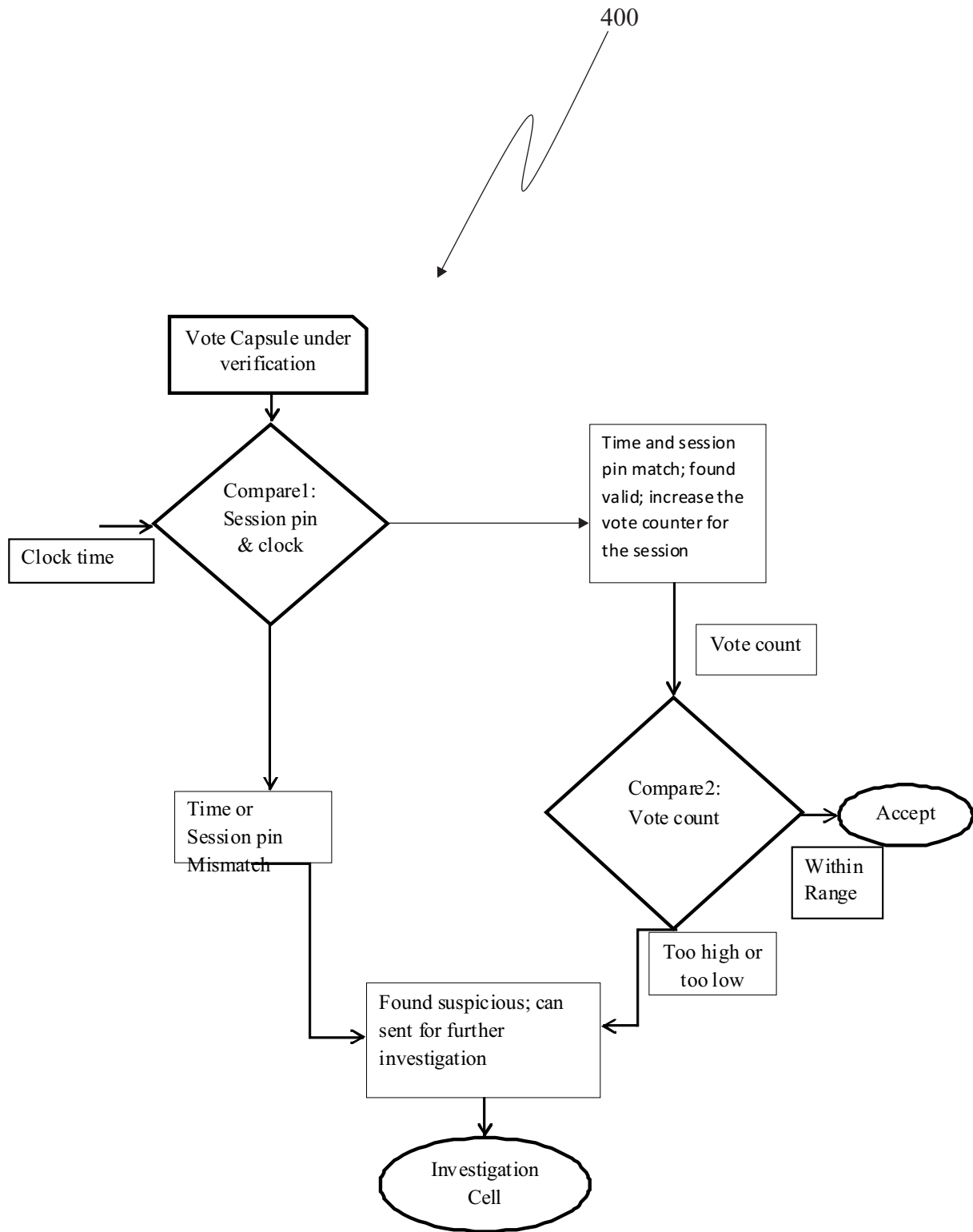


Figure 4

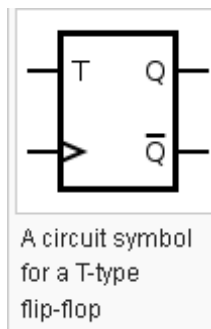


Figure 5a

Characteristic table				Excitation table			
T	Q	Q_{next}	Comment	Q	Q_{next}	T	Comment
0	0	0	hold state (no clk)	0	0	0	No change
0	1	1	hold state (no clk)	1	1	0	No change
1	0	1	toggle	0	1	1	Complement
1	1	0	toggle	1	0	1	Complement

Figure 5b

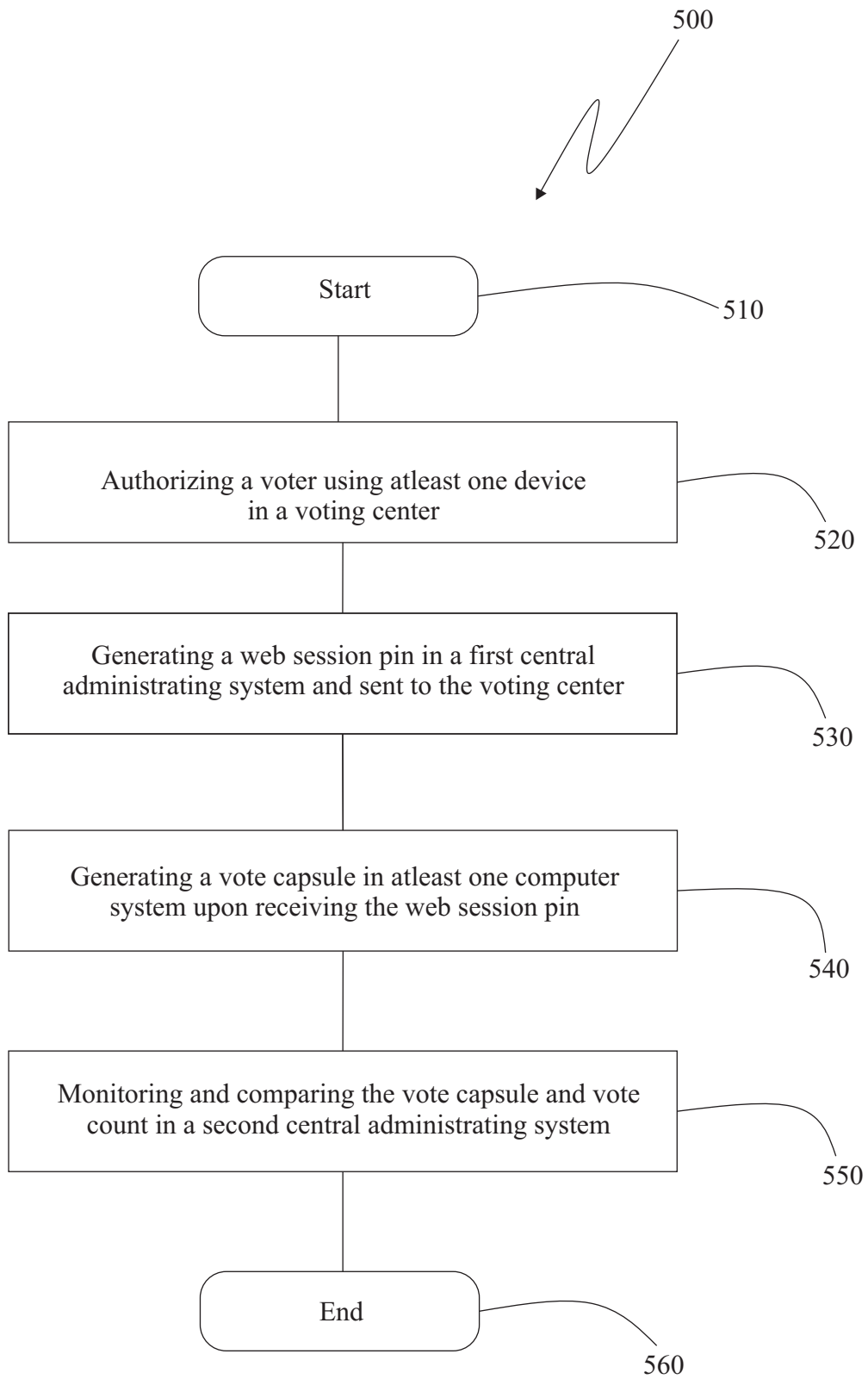


Figure 6

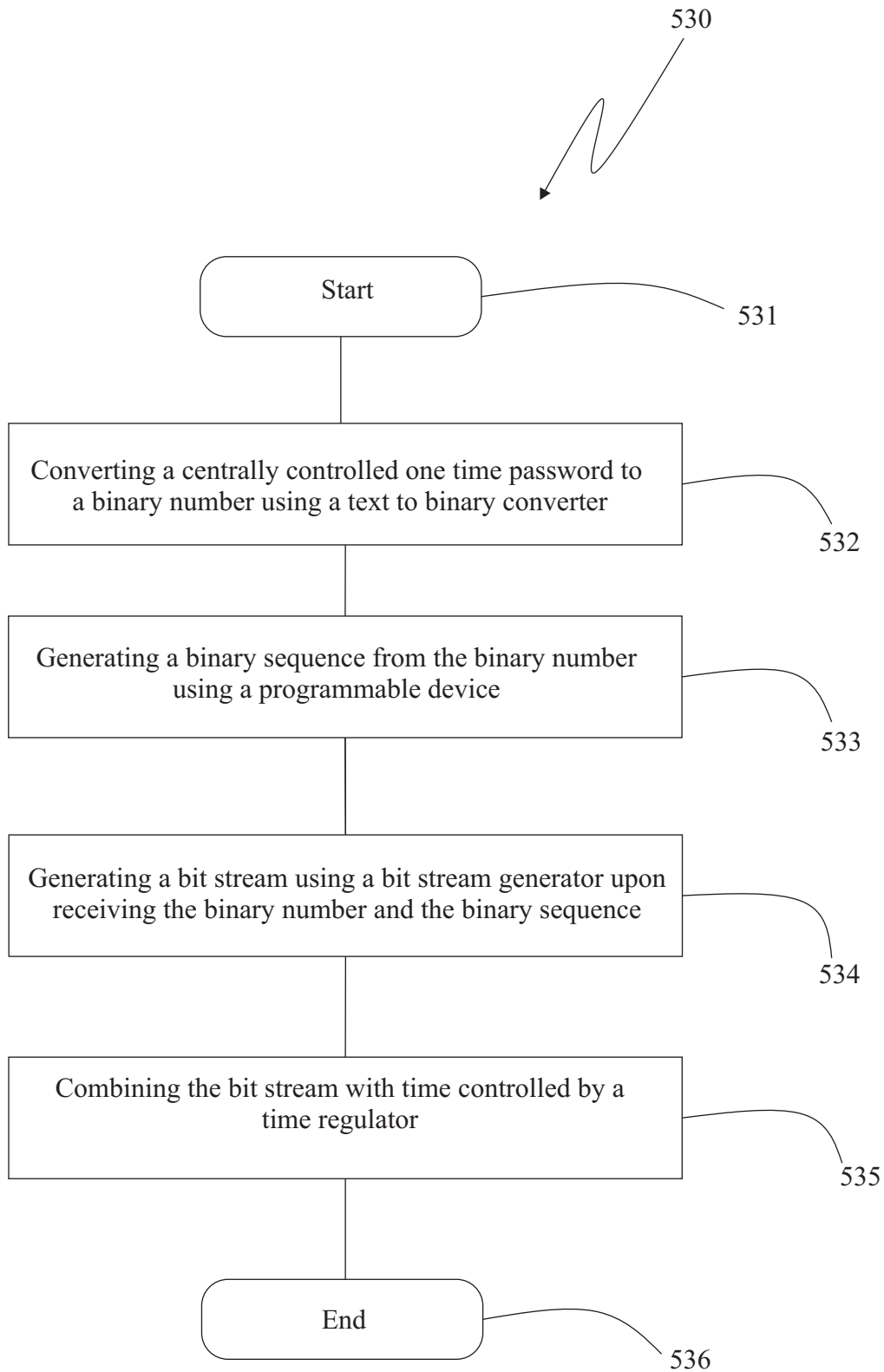


Figure 7