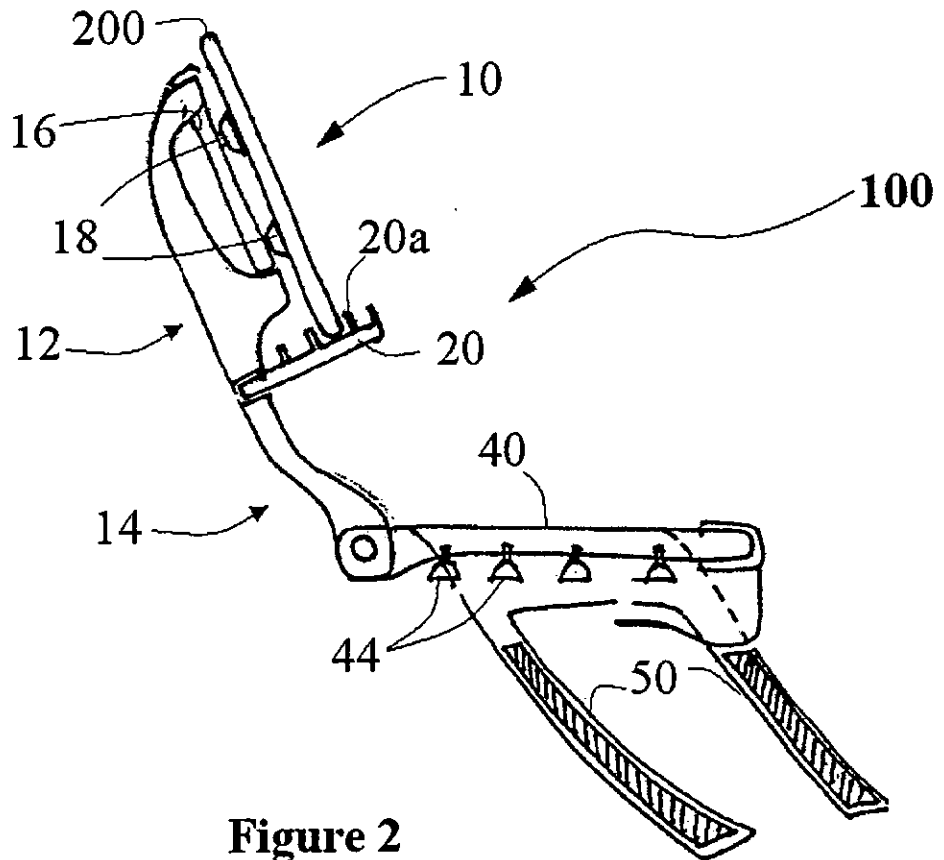


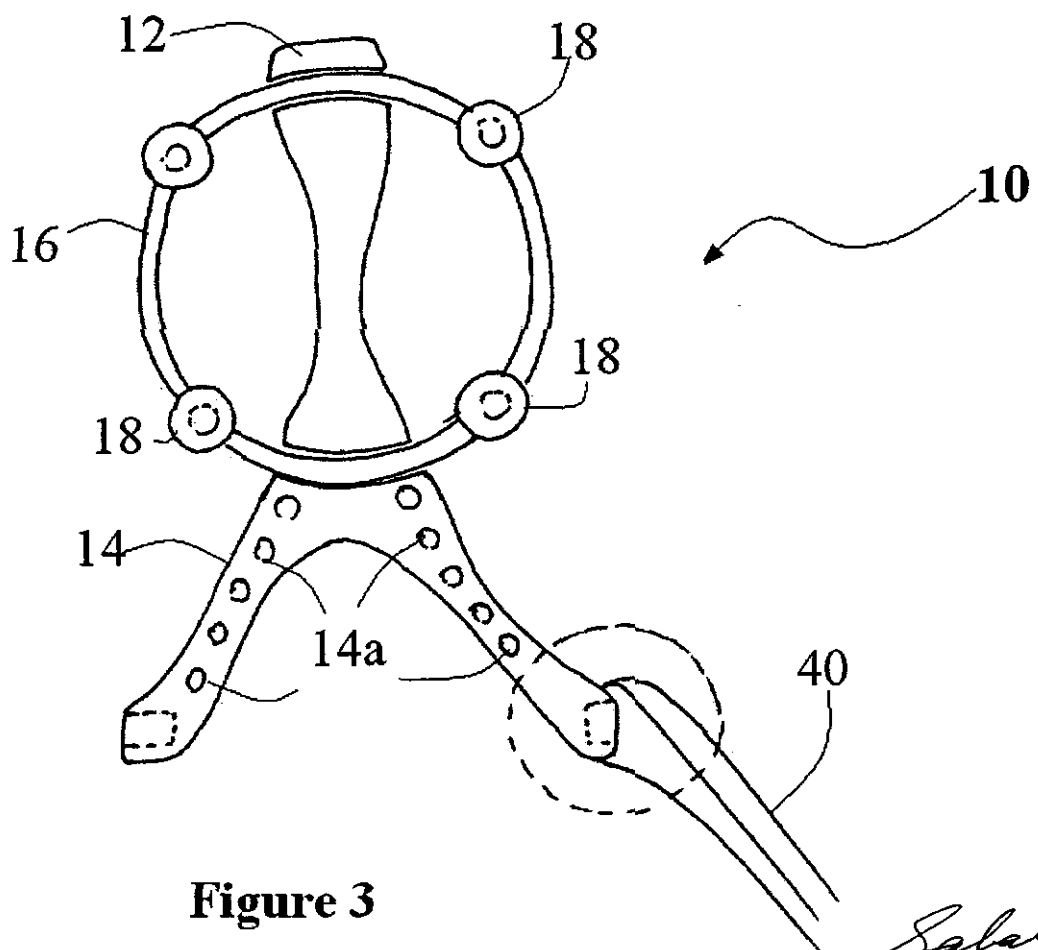
Figure 1

*Suneet Sabale*  
Suneet Sabale  
(Agent for Applicant)



**Figure 2**

*Sabale*  
Suneet Sabale  
(Agent for Applicant)



**Figure 3**

*Sabale*  
Suneet Sabale  
(Agent for Applicant)

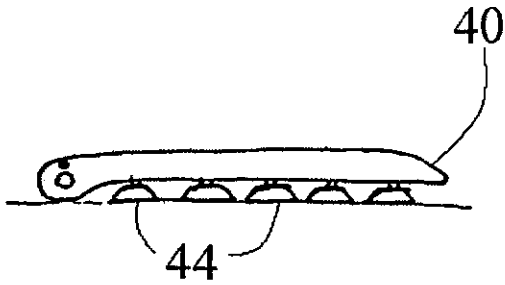


Figure 4

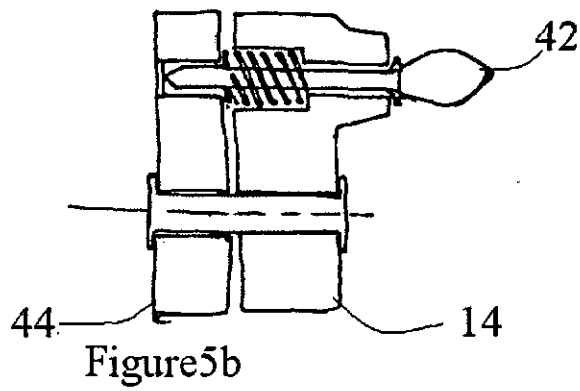


Figure 5b

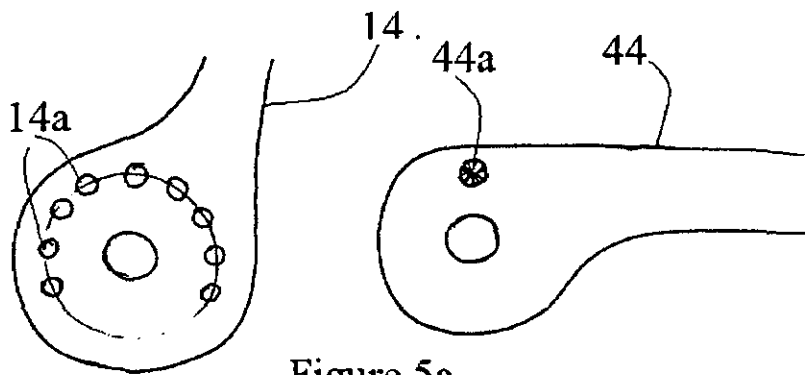


Figure 5a

*Sabale*  
Suneet Sabale  
(Agent for Applicant)